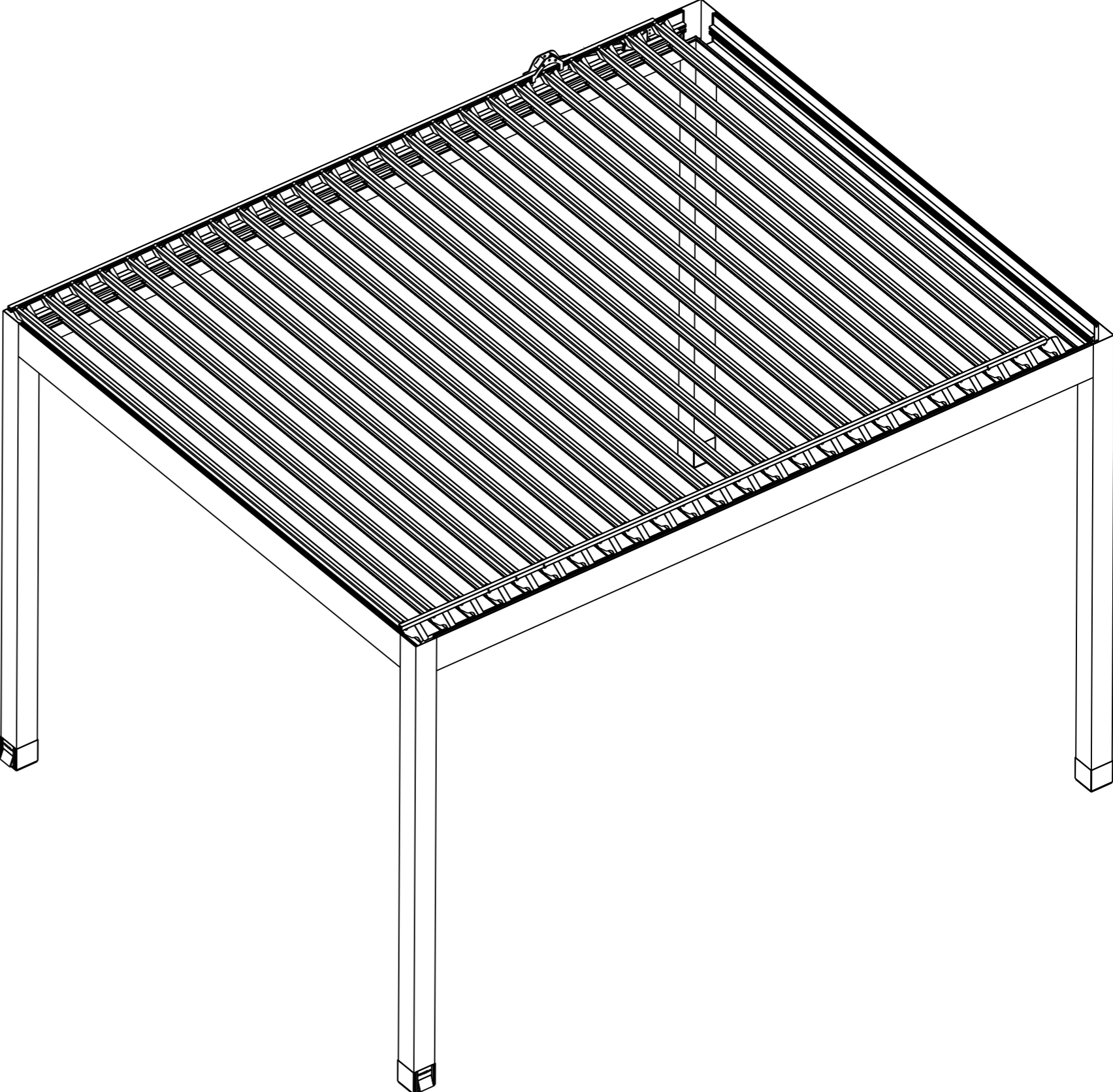
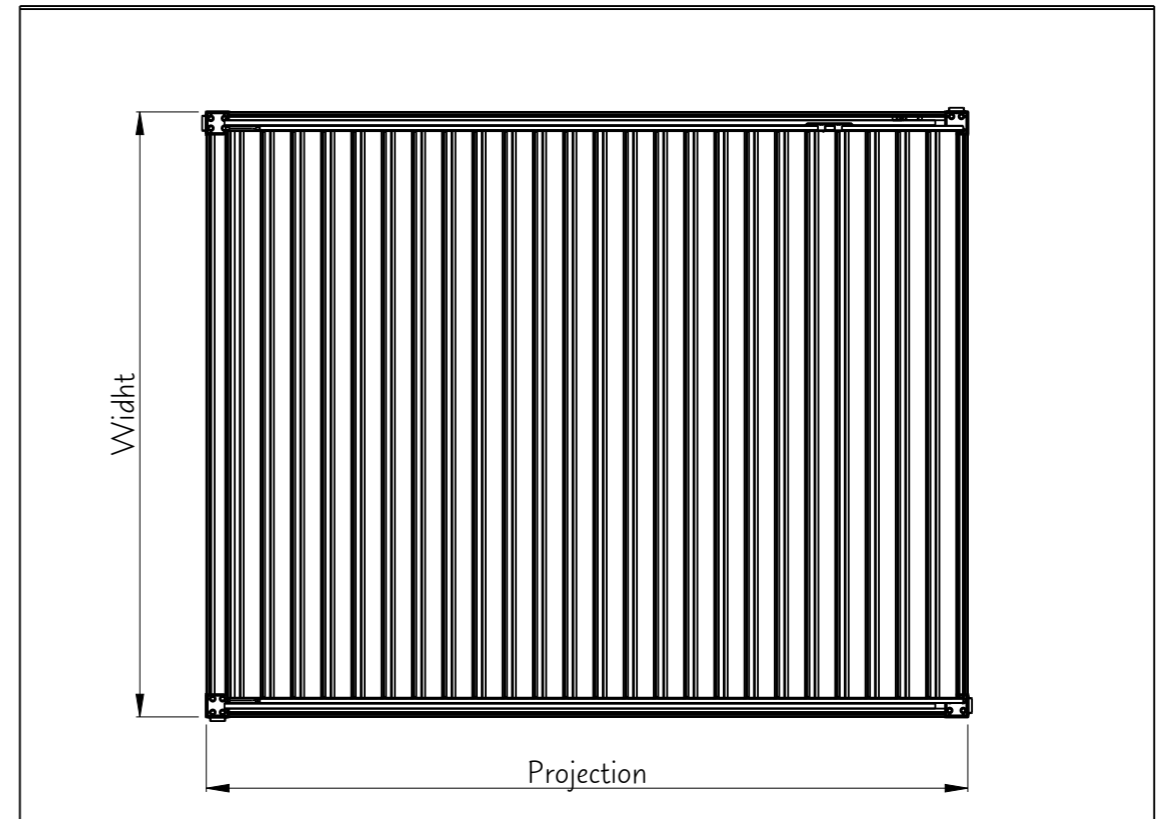
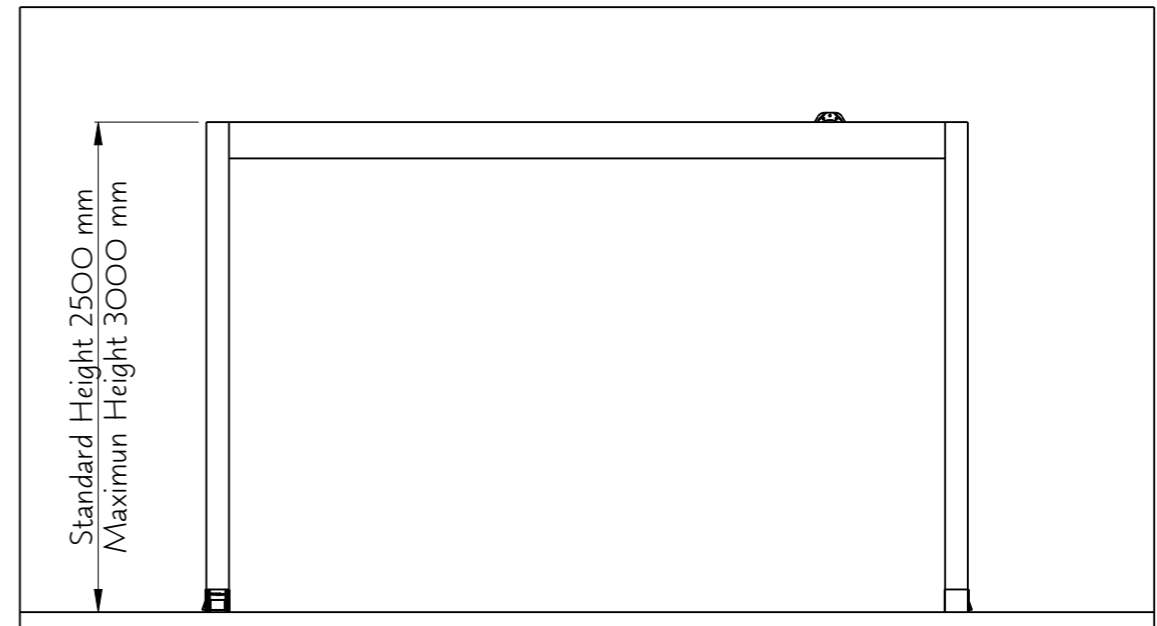
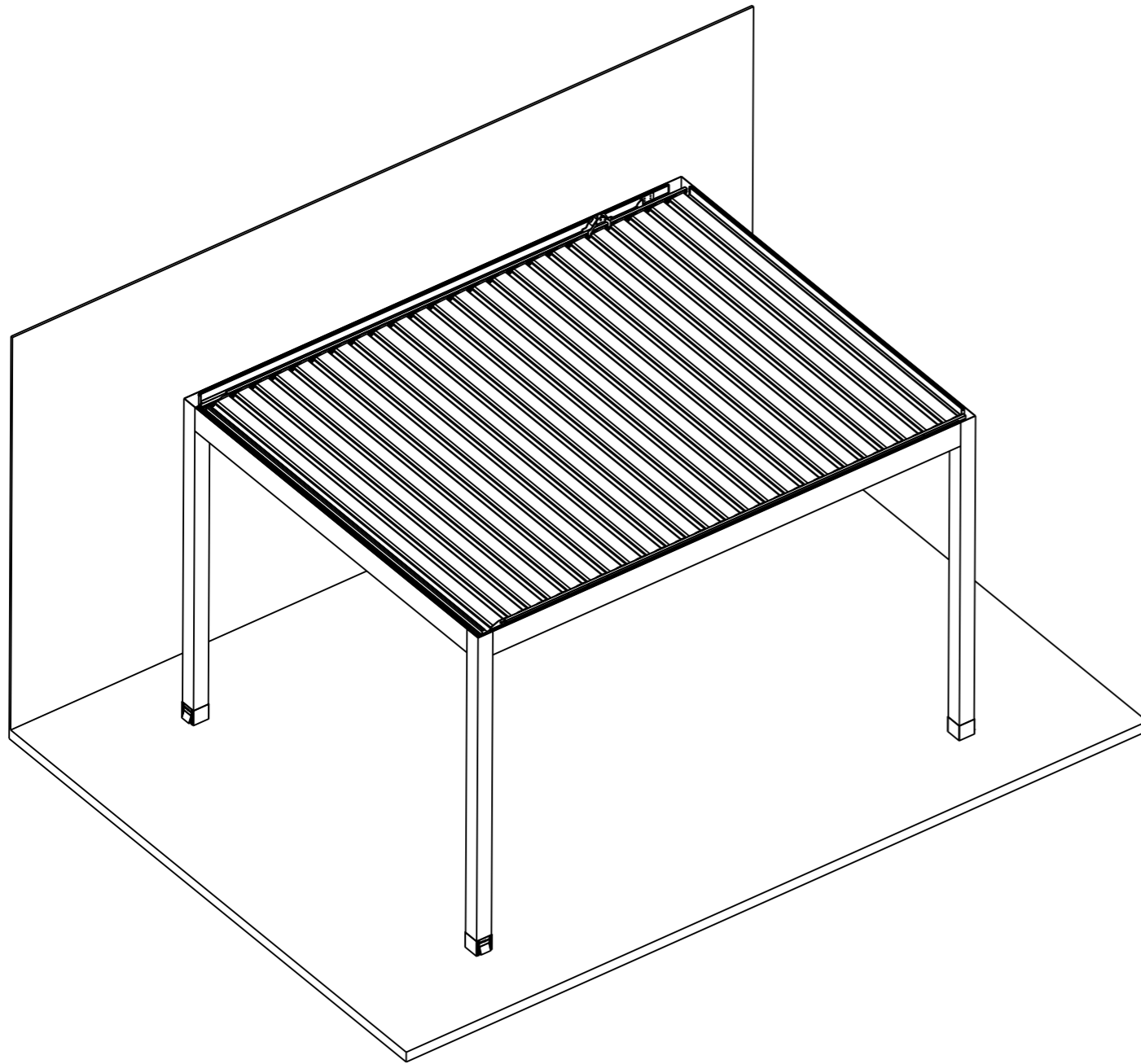


**SKYLOUNGE
BIOCLIMATIC PERGOLAS
TECHNICAL SHEET**



SKYLOUNGE BIOCLIMATIC PERGOLAS



MAXIMUM DIMENSIONS CM

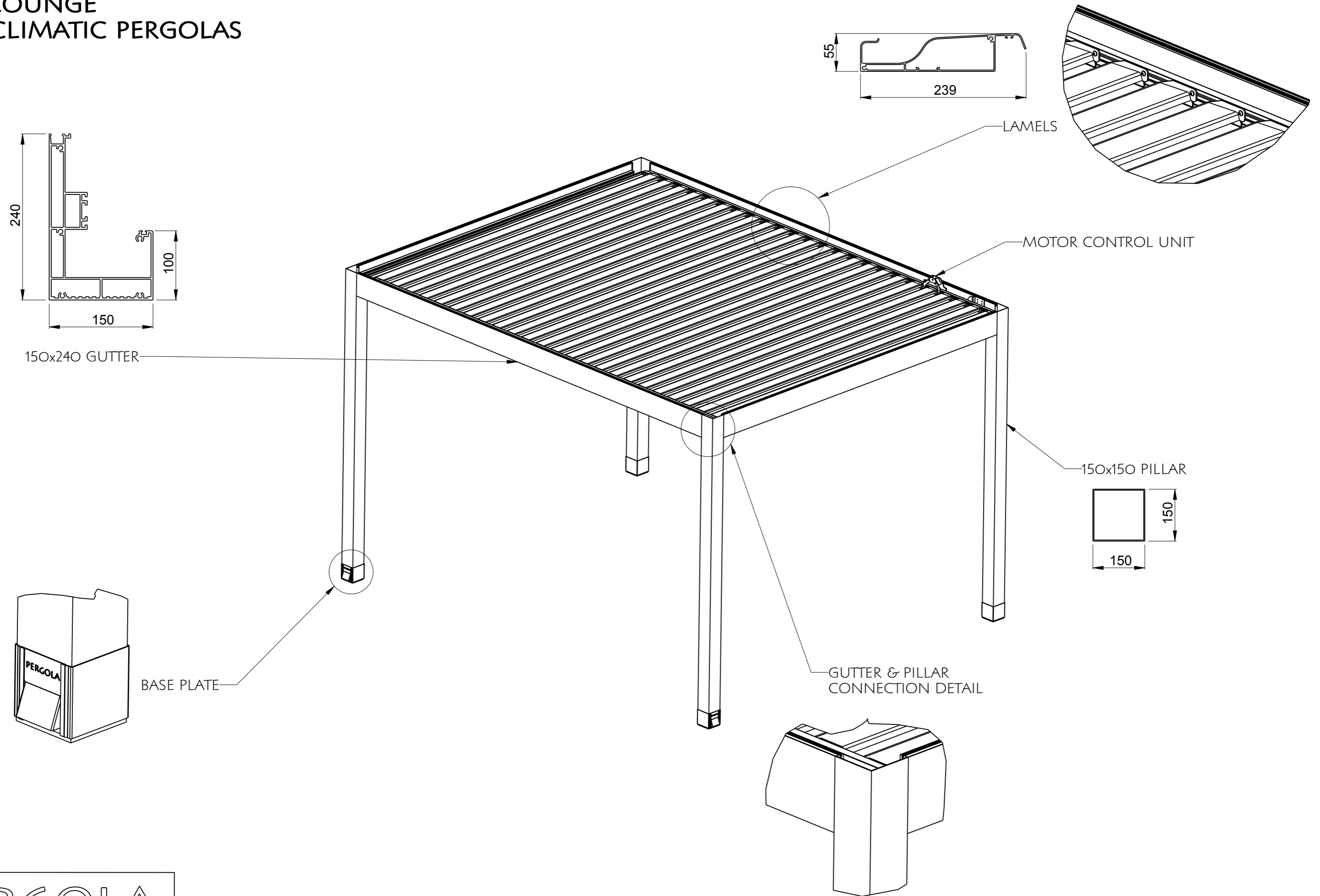
	Projection	Width
Single Module	6000	4500
Single Module	8000	4500

The Max. series is manufactured with four pillars up to a projection measure of 6000 mm. Above this, one more pillar needs to be added for each of projection sides.

PERGOLA

ALL SEASONS OUTDOOR

SKYLOUNGE BIOCLIMATIC PERGOLAS



PERGOLA

ALL SEASONS OUTDOOR