

1. The LED modules integrated optionally on the fabric holder sections of mobile roof tent shall be 12V Spot Led (**Figure 1**) or 24V Linear Hidden Led (**Figure 2**).

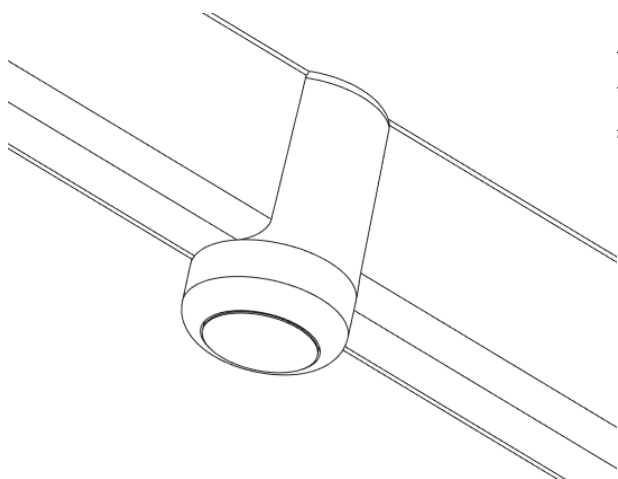


Figure 1

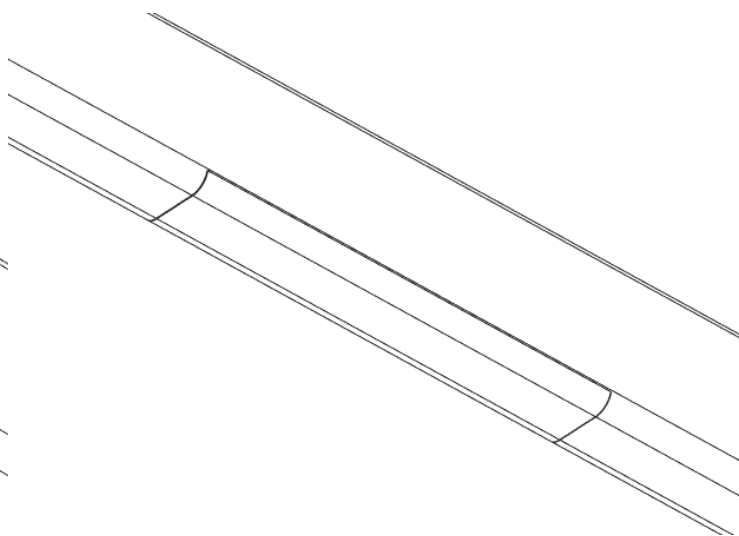


Figure 2

	Spot LED (Figure 1)	Linear Hidden LED (Figure 2)
Operating Voltage	12V DC	24V DC
Power Consumption	3,6W	2W
LED quantity	6 pieces of Samsung LED	14 pieces of Samsung LED
Color Temperature	2700 Kelvin	3000 Kelvin
Operating Temperature	-20°C /+40 °C	-20°C /+40 °C